



# AMERICAN FLOOR PRODUCTS COMPANY, INC.

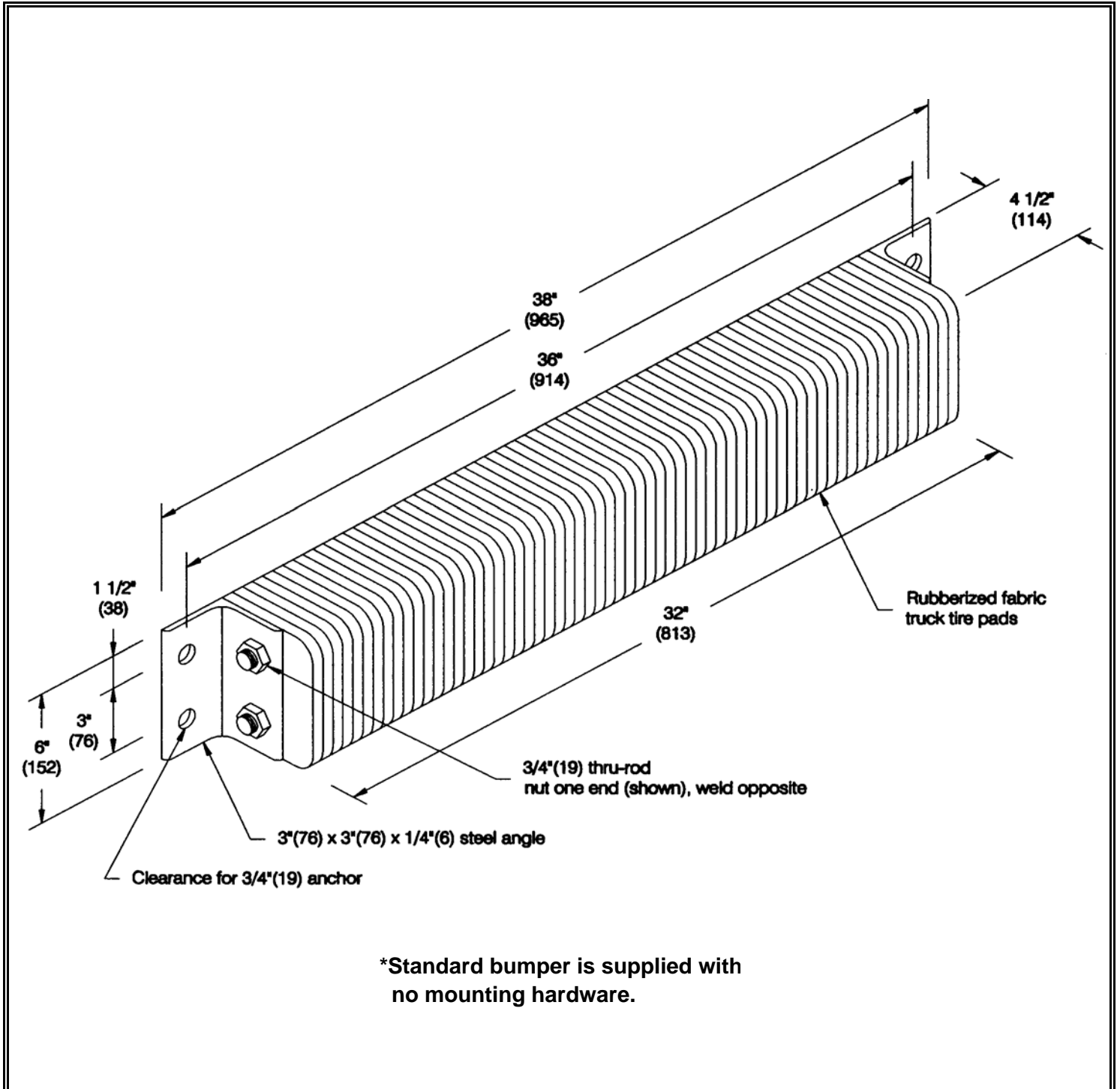
**AFCO-USA**

P.O. BOX 7055 • Gaithersburg, Maryland 20898 -7055 • 301-987-0490 • Fax 301-987-0422  
email: sales@afco-usa.com • Web Site: www.afco-usa.com

CUSTOMER P.O. #

## LAMINATED DOCK BUMPER® (LB-2240)

### Style B406-36



# LAMINATED DOCK BUMPER® (LB-2240)

## Style B406-36

Profile	Application	Shock absorbing	Materials	Flammability & smoke developed (ASTM E-84)
Laminated	High abuse	80%	Recycled truck tires Metal components	N/A

<p><b>Features:</b></p> <ul style="list-style-type: none"> <li>• Horizontal mounting</li> <li>• Weight: 46 lbs.</li> <li>• Attractive deep black color enhances a professional architectural look</li> <li>• Manufactured under pressure exceeding 1,500 lbs. (680.40 kg) to absorb over 80% of impact.</li> </ul> <p><b>Applications:</b></p> <ul style="list-style-type: none"> <li>• High traffic commercial loading docks</li> <li>• Rub rails along sides of truck wells</li> <li>• Industrial plant wall protection</li> </ul>	<p><b>Finishes (metal components):</b></p> <ul style="list-style-type: none"> <li>• Specify: Chrome aluminum lead-free enamel #107 or hot-dip galvanized #108</li> </ul> <p><b>Suggested Mounting Hardware:</b></p> <ul style="list-style-type: none"> <li>• Wedge anchor series: Expansion anchor - for use in pre-drilled holes on existing concrete walls.</li> <li>• J-Bolt series: Cast-in-place anchor - for use in new concrete wall construction</li> </ul>
--	---

Bumper designs conform to OSHA, ANSI Life Safety, NFPA, BOCA, UBC, BOMA, ICBO, SBCCI, American Disabilities Act Accessibility Guidelines and all National Building /Code requirements.

JOB NAME:	ITEMS	QUANTITY
JOB NUMBER:	Dock Bumper:	
CONTRACTOR:	Galvanized:	Yes <input type="checkbox"/> No <input type="checkbox"/>
ARCHITECT:	Bolt Type:	
DEALER NAME:		
SIGNATURE:	Date:	