



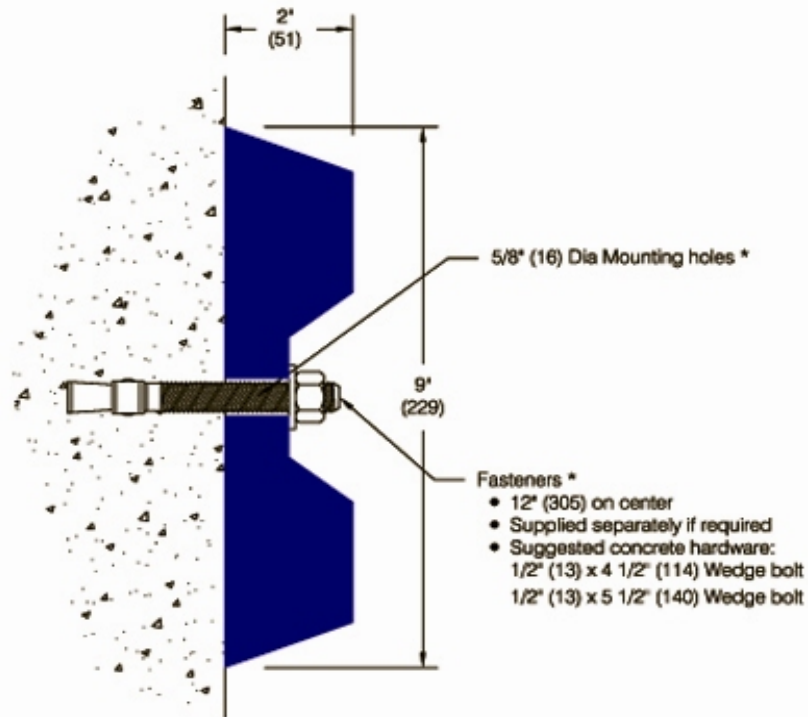
AMERICAN FLOOR PRODUCTS COMPANY, INC.

AFCO-USA

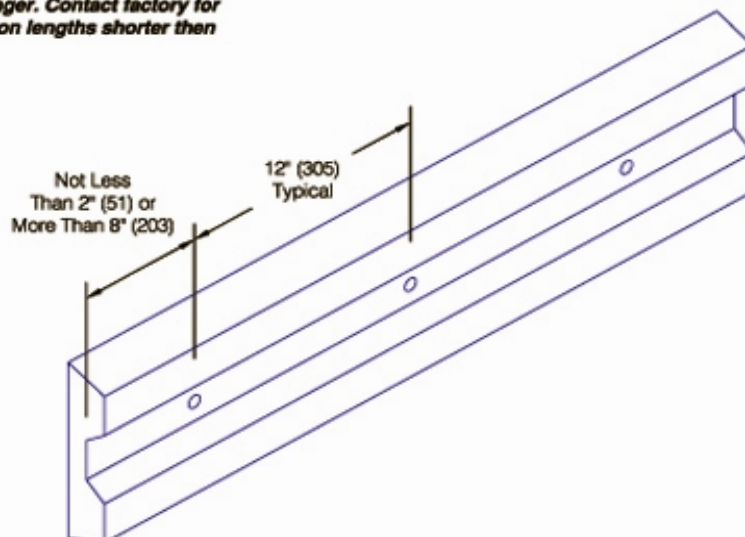
P.O. BOX 7055 • Gaithersburg, Maryland 20898 -7055 • 301-987-0490 • Fax 301-987-0422
email: sales@afco-usa.com • Web Site: www.afco-usa.com

CUSTOMER P.O. #

STYLE "M"[®] Rubber Impact Bumper (MB-2225)



*** Standard bumper is supplied undrilled and with no mounting hardware. Hole spacing shown for bumpers 48" (1219) and longer. Contact factory for hole spacing on lengths shorter than 48" (1219).**



STYLE "M"[®] Rubber Impact Bumper (MB-2225)

Profile	Application	Shock absorbing	ADA Compliance	Material	Flammability & smoke developed (ASTM E-84)
Sculpted	High abuse	25.4 ft.lbs/in. ASTM D-256	N/A	EPDM Rubber	N/A

<p>Features:</p> <ul style="list-style-type: none"> • Extruded EPDM rubber to RMA tolerances • Durometer: (ASTM D-412) 70 ± 5 shore A • Tensile strength PSI: (ASTM D-412) 1,750 min. • Elongation: (ASTM D-412) 395 min. • Tear strength: (ASTM D-624) 229 lbs./in. min. • Impact resistance: (ASTM 2632) 75% • Low temperature brittleness: (ASTM D-746) -40 °F min. • Ozone: (ASTM D-1171) 1,142 hrs @ 102 °F; 20% strain - no cracks • Deflection: (ASTM D-575) 60,000 ft./lbs. 60,000 ft./lbs. - 3" (76 mm) with no ruptures • Stock length: 12'-0" (3658 mm) 	<p>Finishes:</p> <ul style="list-style-type: none"> • Drilled for hardware: Approximately 12" (305 mm) on center Spacing from end varies as restricted by length • Custom drilling available <p>Standard Color: (1)Black</p>
---	--

Bumper designs conform to OSHA, ANSI Life Safety, NFPA, BOCA, UBC, BOMA, ICBO, SBCCI, American Disabilities Act Accessibility Guidelines and all National Building /Code requirements.

JOB NAME:	ITEMS	QUANTITY
JOB NUMBER:	Bumper Length:	
CONTRACTOR:	Lok Bolt:	
ARCHITECT:	Drilling Pattern:	
DEALER NAME:		
SIGNATURE: _____	Date: _____	